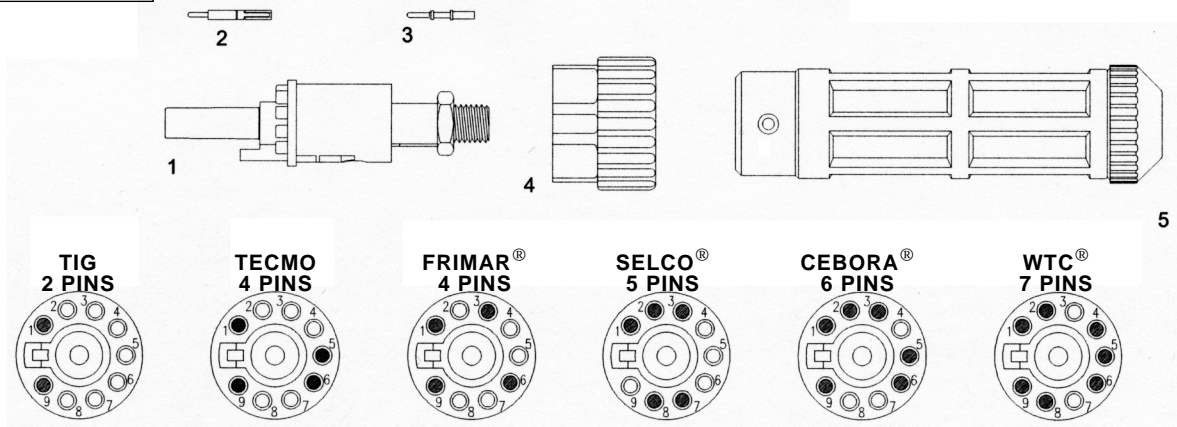
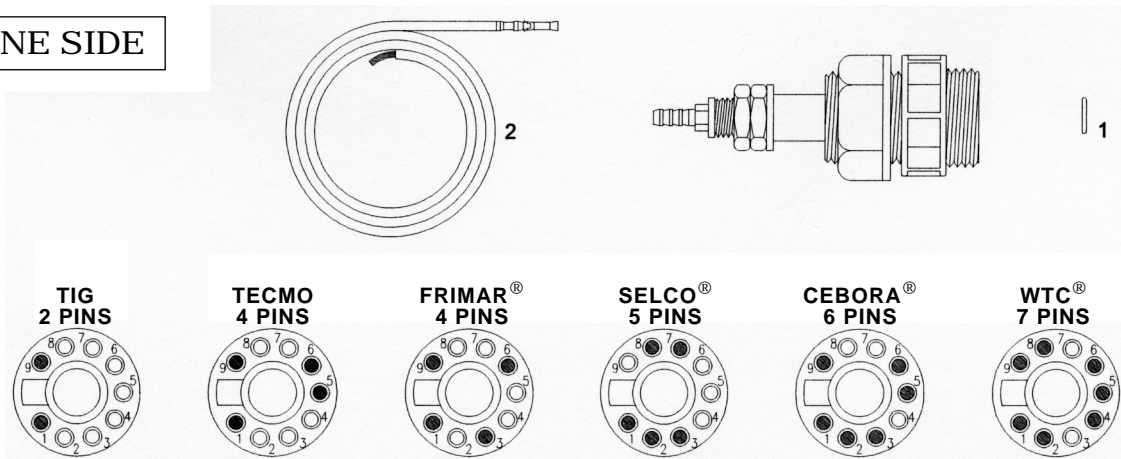


CENTRAL ADAPTORS
TORCH SIDE


ITEM	CATALOG NUMBER	DESCRIPTION	STD. QTY
	CS04260-TIG	CENTRAL ADAPTOR COMPLETE 2 PINS TIG	
	CS04260	CENTRAL ADAPTOR COMPLETE 4 PINS TEC.MO	
	CS04260-FRI	CENTRAL ADAPTOR COMPLETE 4 PINS FRIMAR®	
	CS04260-SEL	CENTRAL ADAPTOR COMPLETE 5 PINS SELCO®	
	CS04260-CEB	CENTRAL ADAPTOR COMPLETE 6 PINS CEBORA® (REF. 3.080.156)	
	CS04260-WTC	CENTRAL ADAPTOR COMPLETE 7 PINS WTC®	
	CS04260.00	CENTRAL ADAPTOR COMPLETE WITHOUT PINS	
1	CS04260.10	ADAPTOR BODY WITHOUT PINS	
2	CS04260.22	MALE/FEMALE PIN CONNECTOR PACKAGE OF 20 PIECES	
3	CS04260.23	CONTACT PIN PACKAGE OF 20 PIECES	
4	CS04260.20	ADAPTOR NUT	
5	CS04260.21	ADAPTOR SUPPORT	

MACHINE SIDE


ITEM	CATALOG NUMBER	DESCRIPTION	STD. QTY
	CS04265-TIG	CENTRAL ADAPTOR COMPLETE 2 PINS TIG	
	CS04265	CENTRAL ADAPTOR COMPLETE 4 PINS TEC.MO	
	CS04265-FRI	CENTRAL ADAPTOR COMPLETE 4 PINS FRIMAR®	
	CS04265-SEL	CENTRAL ADAPTOR COMPLETE 5 PINS SELCO®	
	CS04265-CEB	CENTRAL ADAPTOR COMPLETE 6 PINS CEBORA® (REF. 3.080.155)	
	CS04265-WTC	CENTRAL ADAPTOR COMPLETE 7 PINS WTC®	
	CS04265.00	CENTRAL ADAPTOR COMPLETE WITHOUT PINS	
1	CS04265.20	O-RING PACKAGE OF 20 PIECES	
2	CS04265.21	CONTACT PIN WITH BLACK LEAD 1 mmq x 500 mm PACKAGE OF 10 PIECES	
	CS04265.22	CONTACT PIN WITH RED LEAD 1 mmq x 500 mm PACKAGE OF 10 PIECES	
	CS04265.23	CONTACT PIN WITH BLUE LEAD 1 mmq x 500 mm PACKAGE OF 10 PIECES	

Ergodani is in no way affiliated with FRIMAR®, SELCO®, CEBORA®, WTC®. The parts advertised for sale are not genuine FRIMAR®, SELCO®, CEBORA®, WTC® parts, but are parts made for and by Ergodani. Reference to FRIMAR®, SELCO®, CEBORA®, WTC® machine, torches and numbers are for your convenience only. We reserve the right to substitute genuine FRIMAR®, SELCO®, CEBORA®, WTC® parts in place of Ergodani parts.