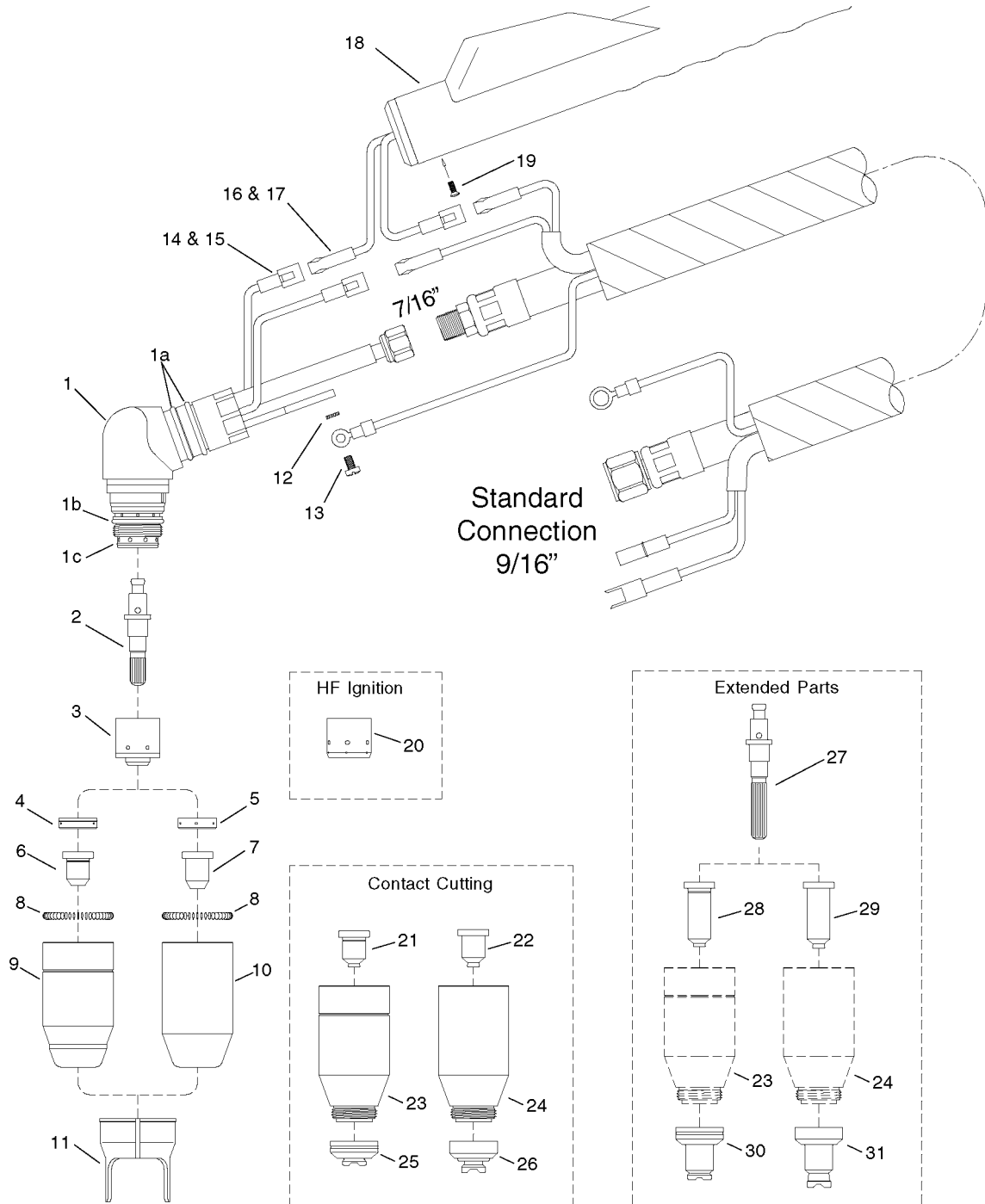


REPLACEMENT HAND TORCH PARTS SUITABLE FOR:

EL-120®



Ergodani is in no way affiliated with EL-120®. The parts advertised for sale are not genuine EL-120® parts, but are parts made for and by Ergodani. Reference to EL-120® machine, torches and numbers are for your convenience only. We reserve the right to substitute genuine EL-120® parts in place of Ergodani parts.

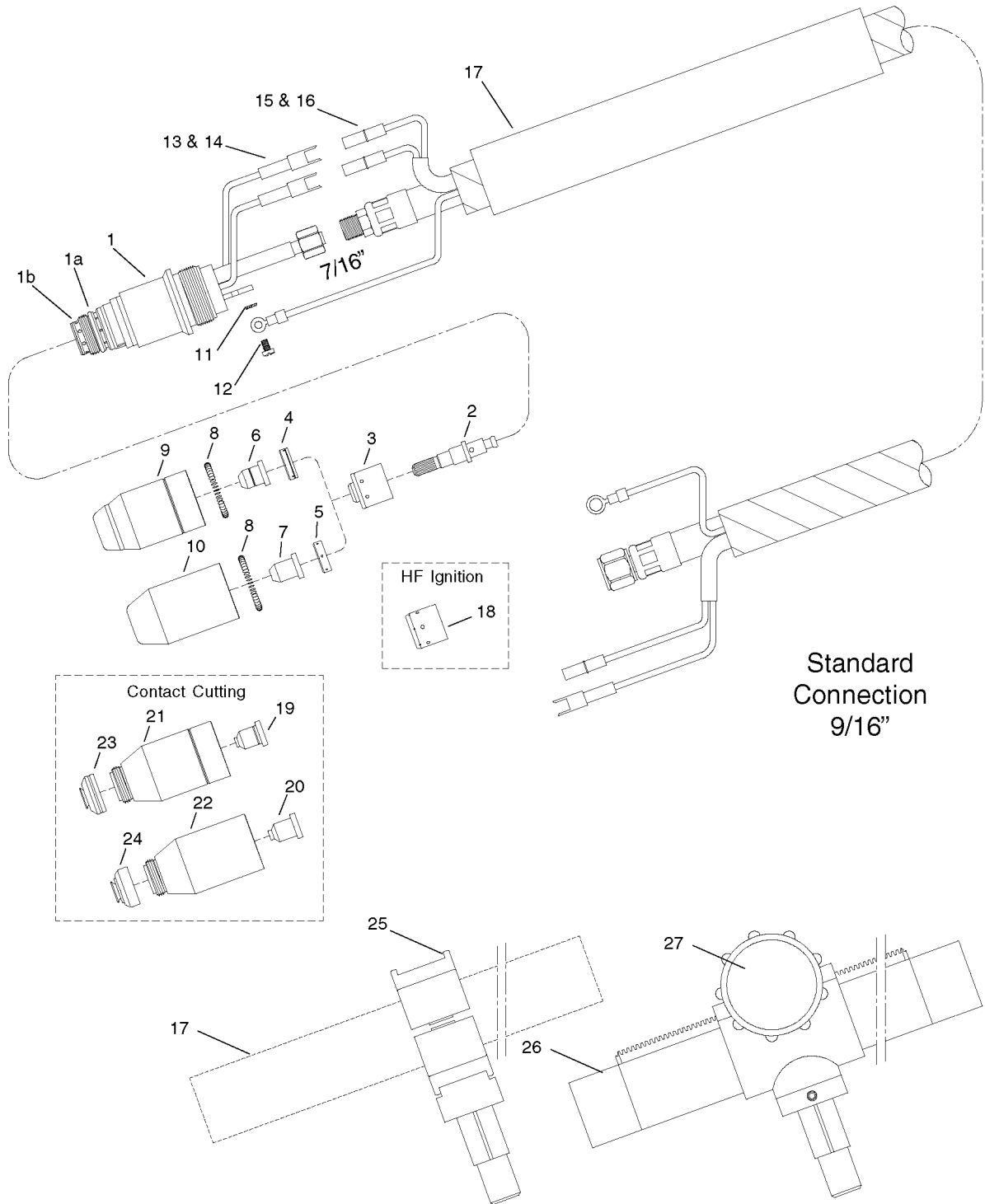
REPLACEMENT HAND TORCH PARTS SUITABLE FOR:

EL-120®

ITEM	CATALOG NUMBER	DESCRIPTION	STD. QTY
		EL-120 70° HAND TORCH 6 m (20 ft) LEADS	
		EL-120 70° HAND TORCH 12 m (40 ft) LEADS	
		EL-120 70° LEAD ASSEMBLY 6 m (20 ft) LENGHT	
		EL-120 70° LEAD ASSEMBLY 12 m (40 ft) LENGHT	
1	CS07920	EL-120 70° TORCH HEAD	1
1/a	CS07100.53	O-RING	2
1/b	CS07300.60	O-RING	1
1/c	CS07920.60	O-RING	1
2	CS52600	ELECTRODE AIR/N ₂	1
3	CS07923	START CARTRIDGE 30/120A	1
4	CS60060	GAS DISTRIBUTOR 30/60A	1
5	CS60061	GAS DISTRIBUTOR 60/120A	1
6	CS51470	TIP CUTTING AIR/N ₂ 30A	1
	CS51471	TIP CUTTING AIR/N ₂ 40A	1
	CS51472	TIP CUTTING AIR/N ₂ 50/60A	1
7	CS51474	TIP CUTTING AIR/N ₂ 60A	1
	CS51475	TIP CUTTING AIR/N ₂ 70A	1
	CS51476	TIP CUTTING AIR/N ₂ 80A	1
	CS51477	TIP CUTTING AIR/N ₂ 90/100A	1
	CS51478	TIP CUTTING AIR/N ₂ 120A	1
8	CS60442	COIL SPRING	1
9	CS60480	SHIELD CUP STANDARD 30/60A (INCLUDING ITEM # 8)	1
10	CS60481	SHIELD CUP STANDARD 60/120A (INCLUDING ITEM # 8)	1
11	CS60444	DOUBLE POINTED SPACER	1
12	SEE NOTE	PANHEAD SCREW M3 x 6 mm UNI7687	1
13	SE NOTE	INTERNAL STAR WASER A3 UNI8842	1
14	CS9-8111	PIN HOUSING	3
15	CS9-8101	PIN	3
16	CS9-8112	SOCKET HOUSING	3
17	CS9-8102	SOCKET	3
18	CS07106E	HANDLE WITH MICROSWITCH	1
19	SEE NOTE	PANHEAD SCREW M3 x 8 mm UNI7689	1
20	CS07924	INSULATOR HF 30/120A	1
21	CS51480	CONTACT TIP AIR/N ₂ 30A	1
	CS51481	CONTACT TIP AIR/N ₂ 40A	1
	CS51482	CONTACT TIP AIR/N ₂ 50/60A	1
22	CS51484	CONTACT TIP AIR/N ₂ 60A	1
	CS51485	CONTACT TIP AIR/N ₂ 70A	1
	CS51486	CONTACT TIP AIR/N ₂ 80A	1
	CS51487	CONTACT TIP AIR/N ₂ 90/100A	1
	CS51488	CONTACT TIP AIR/N ₂ 120A	1
23	CS60482	SHIELD CUP BODY 30/60A (INCLUDING ITEM # 8)	1
24	CS60483	SHIELD CUP BODY 60/120A (INCLUDING ITEM # 8)	1
25	CS60485	SHIELD CUP HAND 30/60A	1
26		SHIELD CUP HAND 60/120A	1
27	CS52603	EXTENDED ELECTRODE AIR/N ₂	1
28		EXTENDED CONTACT TIP AIR/N ₂ 30A	1
	CS51491	EXTENDED CONTACT TIP AIR/N ₂ 40A	1
		EXTENDED CONTACT TIP AIR/N ₂ 50/60A	1
29	CS51493	EXTENDED CONTACT TIP AIR/N ₂ 60A	1
		EXTENDED CONTACT TIP AIR/N ₂ 70A	1
	CS51495	EXTENDED CONTACT TIP AIR/N ₂ 80A	1
		EXTENDED CONTACT TIP AIR/N ₂ 90/100A	1
	CS51497	EXTENDED CONTACT TIP AIR/N ₂ 120A	1
30	CS60490	EXTENDED SHIELD CAP HAND 30/60A	1
31	CS60491	EXTENDED SHIELD CAP HAND 60/120A	1
N/S	CS51864	CIRCLE CUTTING ATTACHMENT	1

REPLACEMENT MACHINE TORCH PARTS SUITABLE FOR:

EL-120®



Ergodani is in no way affiliated with EL-120®. The parts advertised for sale are not genuine EL-120® parts, but are parts made for and by Ergodani. Reference to EL-120® machine, torches and numbers are for your convenience only. We reserve the right to substitute genuine EL-120® parts in place of Ergodani parts.

REPLACEMENT MACHINE TORCH PARTS SUITABLE FOR:

EL-120®

ITEM	CATALOG NUMBER	DESCRIPTION	STD. QTY
		EL-120 180° MACHINE TORCH 6 m (20 ft) LEADS	
		EL-120 180° MACHINE TORCH 12 m (40 ft) LEADS	
		EL-120 180° LEAD ASSEMBLY 6 m (20 ft) LENGHT	
		EL-120 180° LEAD ASSEMBLY 12 m (40 ft) LENGHT	
1	CS07921	EL-120 180° TORCH HEAD	1
1/a	CS07300.60	O-RING	1
1/b	CS07920.60	O-RING	1
2	CS52600	ELECTRODE AIR/N ₂	1
3	CS07923	START CARTRIDGE 30/120A	1
4	CS60060	GAS DISTRIBUTOR 30/60A	1
5	CS60061	GAS DISTRIBUTOR 60/120A	1
6	CS51470	TIP CUTTING AIR/N ₂ 30A	1
	CS51471	TIP CUTTING AIR/N ₂ 40A	1
	CS51472	TIP CUTTING AIR/N ₂ 50/60A	1
7	CS51474	TIP CUTTING AIR/N ₂ 60A	1
	CS51475	TIP CUTTING AIR/N ₂ 70A	1
	CS51476	TIP CUTTING AIR/N ₂ 80A	1
	CS51477	TIP CUTTING AIR/N ₂ 90/100A	1
	CS51478	TIP CUTTING AIR/N ₂ 120A	1
8	CS60442	COIL SPRING	1
9	CS60480	SHIELD CUP STANDARD 30/60A (INCLUDING ITEM # 8)	1
10	CS60481	SHIELD CUP STANDARD 60/120A (INCLUDING ITEM # 8)	1
11	SEE NOTE	PANHEAD SCREW M3 x 6 mm UNI7687	1
12	SE NOTE	INTERNAL STAR WASER A3 UNI8842	1
13	CS9-5577	PIN HOUSING	2
14	CS9-4651	PIN	2
15	CS9-5578	SOCKET HOUSING	2
16	CS9-5764	SOCKET	2
17	CS07215	FIBERGLASS POSITIONING TUBE	1
18	CS07924	INSULATOR HF 30/120A	1
19	CS51480	CONTACT TIP AIR/N ₂ 30A	1
	CS51481	CONTACT TIP AIR/N ₂ 40A	1
	CS51482	CONTACT TIP AIR/N ₂ 50/60A	1
20	CS51484	CONTACT TIP AIR/N ₂ 60A	1
	CS51485	CONTACT TIP AIR/N ₂ 70A	1
	CS51486	CONTACT TIP AIR/N ₂ 80A	1
	CS51487	CONTACT TIP AIR/N ₂ 90/100A	1
	CS51488	CONTACT TIP AIR/N ₂ 120A	1
21	CS60482	SHIELD CUP BODY 30/60A (INCLUDING ITEM # 8)	1
22	CS60483	SHIELD CUP BODY 60/120A (INCLUDING ITEM # 8)	1
23	CS60487	SHIELD CAP MACHINE 30/60A	1
24	CS60488	SHIELD CAP MACHINE 60/120A	1
25	CS07217	MOUNTING BLOCK	1
26	CS07216	FIBERGLASS POSITIONING TUBE WITH RACK	1
27	CS7-2827	PINION ASSEMBLY	1